

More Precision



wireSENSOR WDS-2500-P85-M Rugged draw-wire sensor mechanism

Rugged draw-wire sensor mechanism for mounting encoders

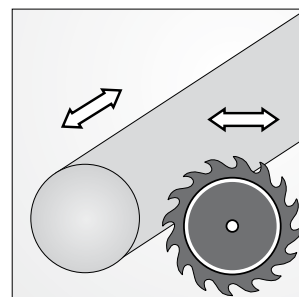
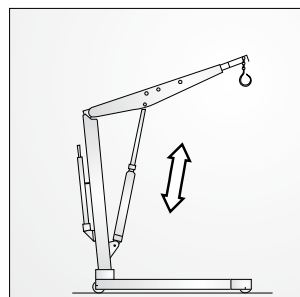
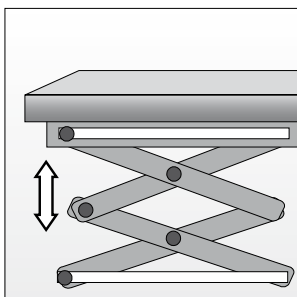
The wireSENSOR mechanisms in the P85 Series are designed so that simple mounting of an incremental or absolute encoder is ensured. The selection of the interface, resolution and type of connection can therefore be individually configured. Also, optimum matching to the signal conditioning system is provided. High quality precision components and a rugged construction ensure high operational reliability and a long service life even in a harsh industrial environment.

Mounting grooves on the four sides of the housing ensure a simple and flexible mechanical installation. At the exit of the wire a wire cleaner is integrated with bellows. This cleaner extends the service life of the sensor, because dirt is constricted to get into the wire drum. For special and difficult installation situations, a deflection pulley mounted directly on the sensor is obtainable which reliably guides the wire in tight spatial conditions.



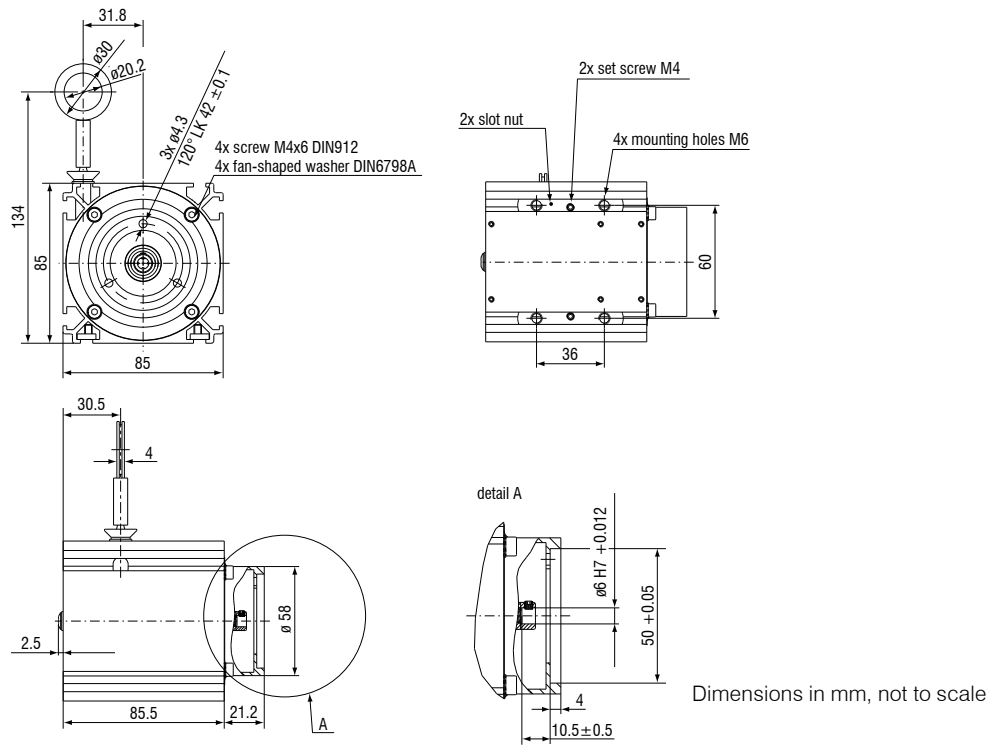
Advantages

- Simple and flexible encoder mounting
- Robust and compact sensor design
- Customerspecific series available
- Ideal for OEM
- Long operational reliability



wireSENSOR WDS-2500-P85-M Dimensions and Accessories

wireSENSOR WDS-2500-P85-M



Model	WDS-2500-P85-M
Measuring range	2500 mm
Distance per revolution	199.8 mm
Drum accuracy	±0.04 % FSO
Linearity	± 0.02 %
Temperature range	-20 to 80 °C
Housing material	anodised aluminium
Draw wire	coated polyamid stainless steel
Wire diameter	1.2 mm
Wire mounting	wire eye
Sensor mounting	mounting grooves
Protection class	encoder dependent
Wire retraction force (min)	6 N
Wire extension force (max)	16 N
Wire acceleration	5 g
Weight	1 kg
Shock	50g, 10 ms (IEC68-2-27)
Vibration	20 g, 20 Hz...2 kHz (IEC68-2-6)

FSO = Full Scale Output

Micro-Epsilon

info@micro-epsilon.com
www.micro-epsilon.com

info@micro-epsilon.co.uk
www.micro-epsilon.co.uk

me-usa@micro-epsilon.com
www.micro-epsilon.com

certified DIN EN ISO 9001 : 2000
modifications reserved / Y9761147-A011051DGO

